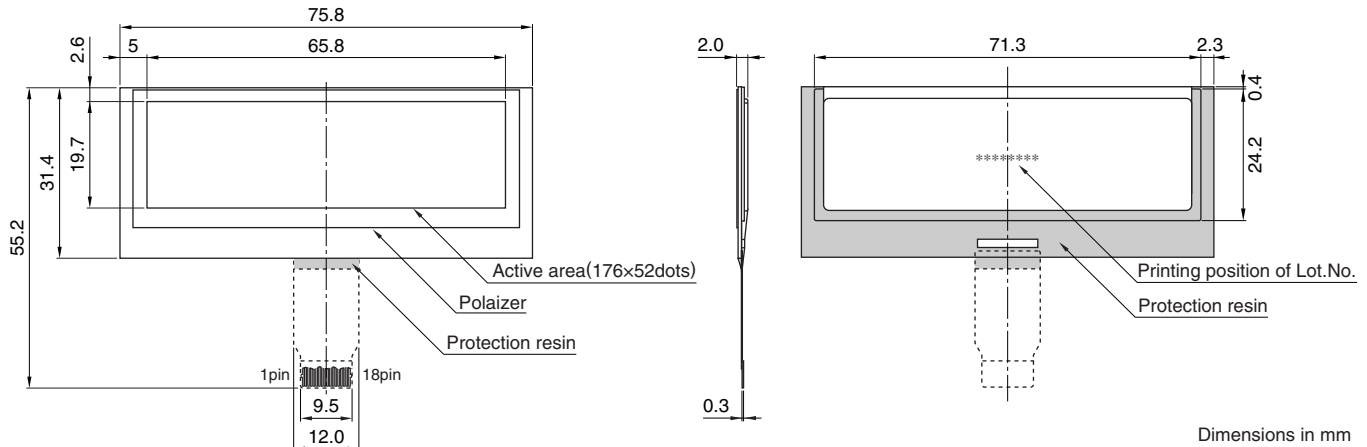


Organic Light Emitting Display Mono-color Type/Passive Matrix Method

Conformity to RoHS Directive

UEL Series UEL333

SHAPES AND DIMENSIONS



SPECIFICATIONS

Model	UEL333
Resolution(W×H)	176×52
Active area(mm)	65.8×19.7
Pixel pitch(mm) (Dot pitch)	0.37×0.38
Thickness(mm)	2.0typ.
Weight(g)	8
Luminance(cd/m ²)	120
Circular polarizer(CPL)	With CPL
Contrast	10000:1
Color/Gray scale	1(white)/16
Half lifetime of luminance [Hours, 25°C, lighting rate: 30%]	≥ 40,000
Operating temperature range(°C)	-20 to +75
Storage temperature range(°C)	-40 to +85
Connection	COG
Interface	SPI
Panel drive voltage(V)	15.5typ.
Logic power voltage(V)	3.3typ.
Power current(mA)	27
Power consumption(mW)	460max.

PIN ASSIGNMENT

Pin No.	Pin name	Function description	I/O
1	AGND	GND for OLED drive power supply	P
2	VCC	OLED drive power supply	P
3	GND	GND for logic	P
4	VDD	Logic power supply	P
5	VCC	OLED drive power supply	P
6	AGND	GND for OLED drive power supply	P
7	AGND	GND for OLED drive power supply	P
8	AGND	GND for OLED drive power supply	P
9	CSB	Chip select	I
10	RSTB	Reset	I
11	DC	Data/Command select	I
12	GND	GND for logic	P
13	SCLK	Serial clock	I
14	SID	Serial data	I
15	VDD	Logic power supply	P
16	GND	GND for logic	P
17	VCC	OLED drive power supply	P
18	AGND	GND for OLED drive power supply	P

- Under license of KODAK OLED patents.
- Conformity to RoHS Directive: This means that, in conformity with EU Directive 2002/95/EC, lead, cadmium, mercury, hexavalent chromium, and specific bromine-based flame retardants, PBB and PBDE, have not been used, except for exempted applications.

• All specifications are subject to change without notice.