

Thermal Print Heads For Barcode and Label Printers

BHP6306HS

FEATURES

- High-speed type with three-stage LATCH heat history control [HS type]
- New-BP protective layer with excellent abrasion resistance is used.

APPLICATIONS

- Barcode and label printers
- Bank ATMs
- Amusements
- Ticket-vending machines
- POS terminals

PRODUCT SPECIFICATIONS

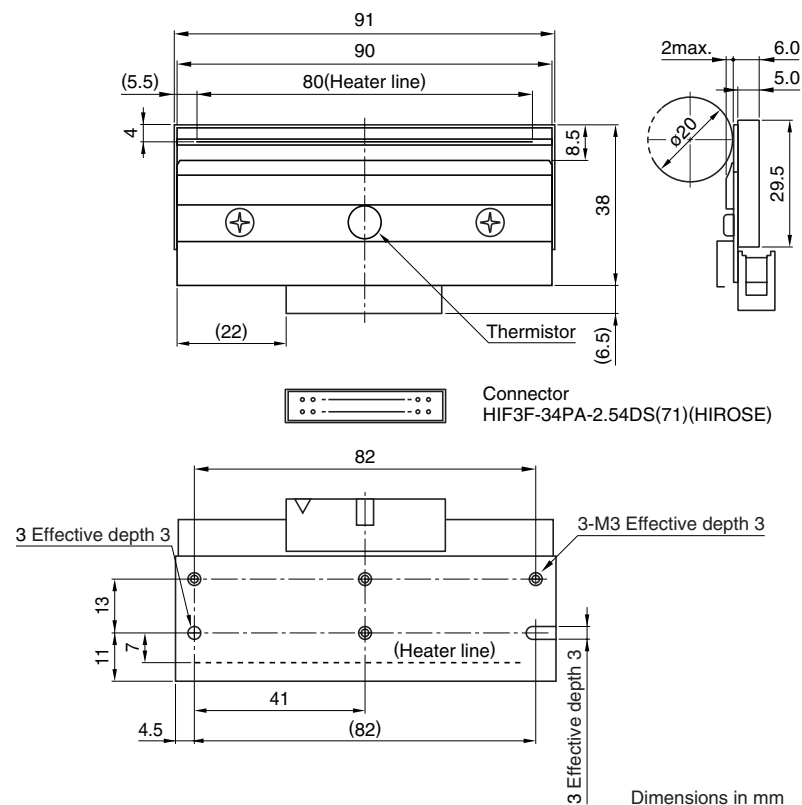
HEATING ELEMENT SPECIFICATIONS

| | | |
|---------------------------------------------|--------------|---------------|
| Number of heating elements | (dots) | 960 |
| Dot density | (dots/mm) | 12 |
| | (DPI) | 305 |
| Length of heating element array (effective) | (mm) | 80 |
| Heating element average resistance | (Ω) | 1500 |
| Glaze type | | Partial glaze |

DRIVE CONDITIONS

| | | |
|-------------------------|----------|----------------|
| Applied platen diameter | (mm) | $\phi 20$ max. |
| Paper-feed speed | (mm/sec) | 200max. |
| Data transfer frequency | (MHz) | 5max. |
| Driver power supply | (V) | 4.75 to 5.25 |

SHAPES AND DIMENSIONS



• All specifications are subject to change without notice.