

Thermal Print Heads For Barcode and Label Printers

BHF6203SS

FEATURES

- Normal type with no heat history control type [SS type]
- New-BP protective layer with excellent abrasion resistance is used.

APPLICATIONS

- Barcode and label printers
- Bank ATMs
- Amusements
- Ticket-vending machines
- POS terminals

PRODUCT SPECIFICATIONS

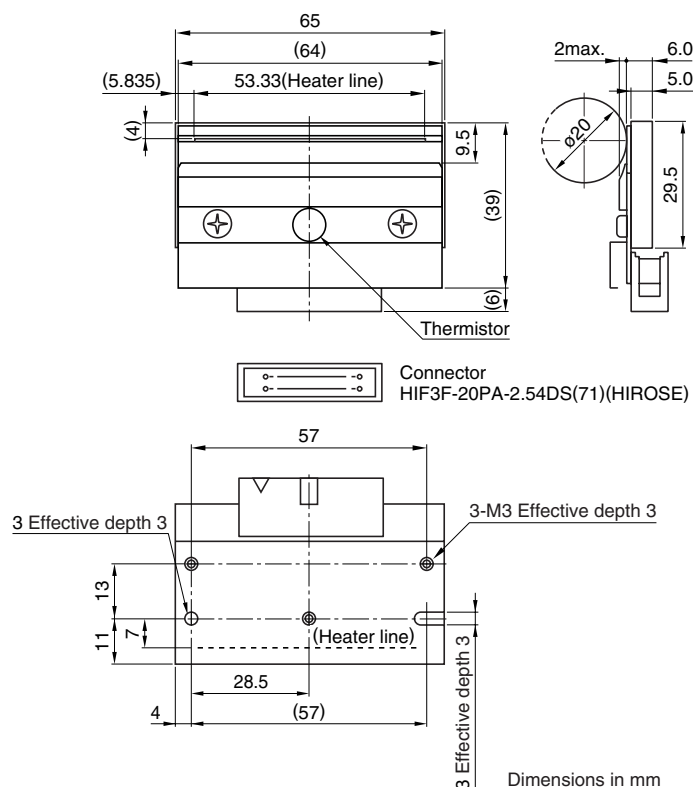
HEATING ELEMENT SPECIFICATIONS

Number of heating elements	(dots)	640
Dot density	(dots/mm)	12
	(DPI)	305
Length of heating element array (effective)	(mm)	53.33
Heating element average resistance	(Ω)	1500
Glaze type		Full glaze

DRIVE CONDITIONS

Applied platen diameter	(mm)	$\phi 20$ max.
Paper-feed speed	(mm/sec)	150max.
Data transfer frequency	(MHz)	5max.
Driver power supply	(V)	4.75 to 5.25

SHAPES AND DIMENSIONS



• All specifications are subject to change without notice.