

AC Input

Conformity to RoHS Directive

Single Output, Long Life, Three-phase Input UL/C-UL Approved

R Series RKY(1.5kW)

The RKY Series has 200V three-phase input specifications compatible with a large output of 1.5kW. This makes it possible to use high power without having to worry about the current limitations of AC lines. In addition, the size of this series is very compact; 92×120×237mm. These products can now be installed in narrow spaces that previously seemed impossible

FEATURES

- Built-In, wide-range variable output function.
- Approved by safety standards (UL, C-UL). Conforms to the Electrical Appliance and Material Safety Law.
- Conforms to standards for noise terminal voltage VCCI-A and EN55022-A, for immunity EN61000-4-2, 3, 4, 5, 6, 8, 11 and EN61000-6-2.
- 5-year limited warrantee
- It is a product conforming to RoHS directive.



APPLICATIONS

- Semiconductor fabrication equipment
- Communication devices
- Information processing devices

PART NUMBERS AND RATINGS

Output voltage(V)	1500W Current(A)	Part No.
24	50	RKY24-50R
36	42	RKY36-42R
48	32	RKY48-32R

• Conformity to RoHS Directive: This means that, in conformity with EU Directive 2002/95/EC, lead, cadmium, mercury, hexavalent chromium, and specific bromine-based flame retardants, PBB and PBDE, have not been used, except for exempted applications.

• All specifications are subject to change without notice.

RKY1500W Type

SPECIFICATIONS AND STANDARDS

Part No.		RKY24-50R	RKY36-42R	RKY48-32R
Rated output voltage and current*1		24V • 50A	36V • 42A	48V • 32A
Maximum output power	W	1200	1512	1536
Input conditions				
Input voltage Eac	V	85 to 265[Rated: 100-240]		
Input frequency	Hz	47 to 66[Rated: 50-60](Three phase)		
Input current	A	4typ./5max.	5typ./6max.	5typ./6max.
Fuse rating	A	15[Built-in]	15[Built-in]	15[Built-in]
Surge current	A	35max.[AC.200-240V, reset after 30s minimum.]		
Leakage current	mA	1.3max./1.9max.[When operating: AC.240V, 60Hz, according to ICE60990-1 Fig.13/Without phase: AC.240V, 60Hz, according to IEC60990-1 Fig.13]		
Power factor		0.95typ.		
Efficiency	%	200V	87typ.	88typ. 90typ.
Output characteristics				
Output voltage Edc	V	24	36	48
Voltage variable range Edc	V	16.8 to 31.2 (RV operating: 0 to 31.2)	25.2 to 55.0 (RV operating: 0 to 41.4)	33.6 to 55.0 (RV operating: 0 to 55.2)
Maximum output current	A	50	42	32
Minimum output current	A	0	0	0
Overvoltage threshold	V	32 to 36.4	56 to 60	56 to 60
Overcurrent threshold	A	52.5 to 57.5	44.1 to 48.3	33.6 to 36.8
Voltage stability	Source effect	%	0.2max.(0.1typ.)[Within the input voltage range]	
	Load effect	%	0.4max.(0.2typ.)[0 to 100% load]	
	Temperature effect	%	1.0max.(0.5typ.)[Ambient temperature: -10 to +65°C]	
	Drift(Time effect)	%	0.5max.(0.2typ.)[25°C, input and output ratings, after input voltage ON for 30min to 8h]	
	Recovery	%	±4max.[50 to 100% sudden load change, tr, tf ≥ 50µs]	
Ripple Ep-p	mV	200max.	300max.	300max.
Ripple noise Ep-p	mV	300max.	400max.	400max.
Start up time	ms	600max.(400typ.)	600max.(400typ.)	600max.(400typ.)
Hold up time	ms	14min.(20typ.)	17min.(24typ.)	12min.(16typ.)
Maximum load capacitor	µF	100000	100000	100000
Auxiliary functions				
Indicator display		LED(Green) indicates when voltage output is ON.		
Overvoltage protection		Voltage shut-down type, recover upon reset or RC reset.		
Output low voltage detection		No		
Overcurrent protection		Rectangular type, automatic recovery (The output voltage will be cut off after 30 seconds. Recover upon reset).		
Overheat protection		Voltage shut-down type, recover upon reset.		
Remote ON-OFF*2		Yes		
Remote sensing*3		Yes		
Parallel operation		Possible		
Series operation		Possible		
Current balance		Yes		
Synchronous operation		Impossible		
Output voltage external variable function*4		Yes		
Master slave operation		Yes		
Alarm signal		Yes(Power failure signal)		
Standards				
Safety standards		UL60950, CSA C22.2 No.60950(C-UL), EN60950(TÜV) approved, Electrical Appliance and Material Safety Law ("DENAN") (Compliant with creepage surface and air clearance in Attachment 8) meet.		
Noise terminal voltage		FCC-Class A, VCCI-Class A, EN55011-A, EN55022-A meet.		
Immunity		EN61000-4-2, 3, 4, 5, 6, 8, 11, EN61000-6-2 meet.		
Radiation field intensity		FCC-Class A, VCCI-Class A, EN55011-A, EN55022-A meet.		
Constructions				
External dimensions	mm	92×120×237[H×W×L]		
Weight	kg	3.0max.		
Mounting method		Can be attached to 3 sides		
Case material		Frame and cover: Iron, circuit board: CEM-3		

*1 Current rating(maximum output current) is determined for -10 to +65°C. Derating is required when used outside this temperature range or when used with a 100V system.

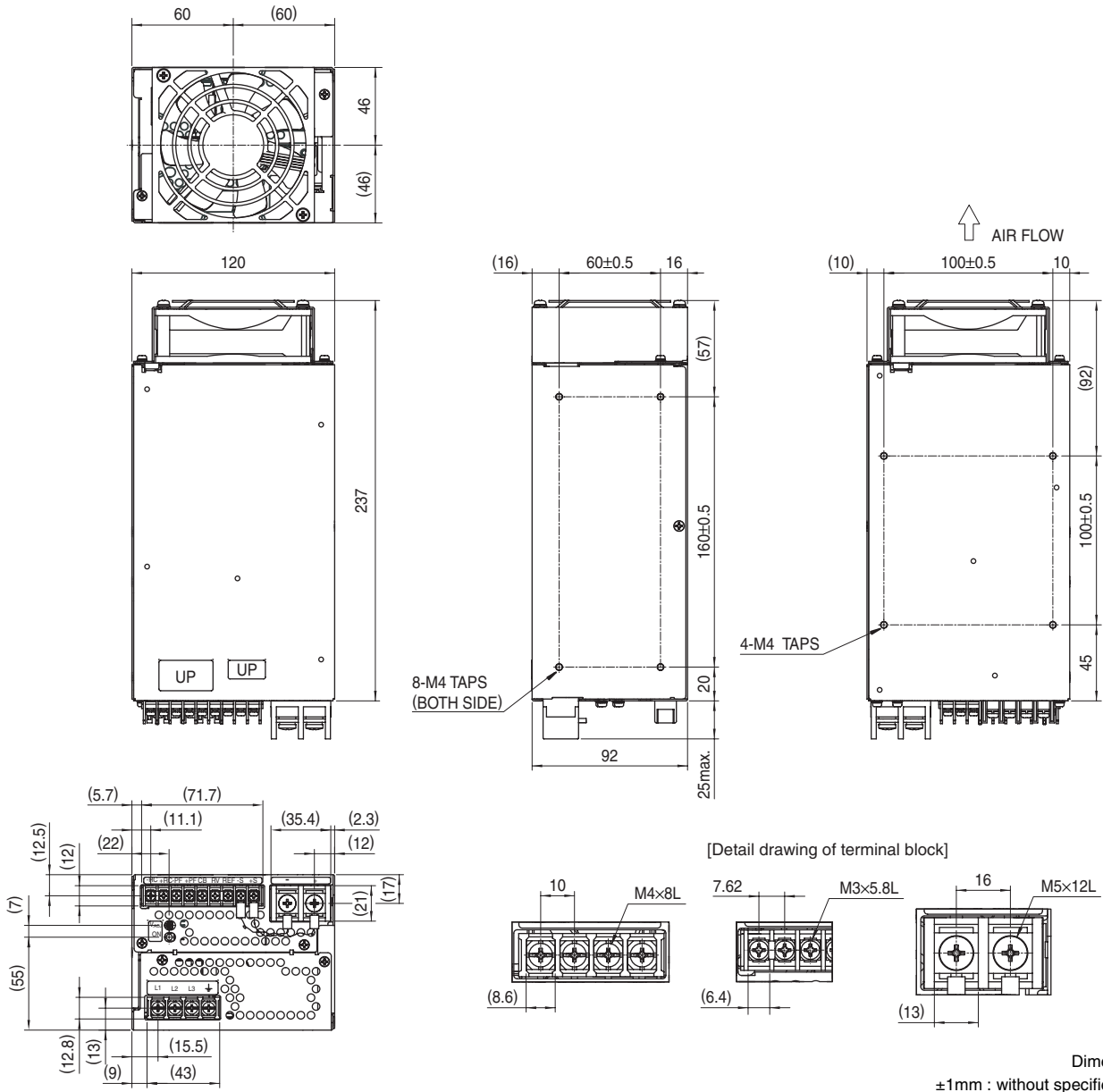
*2 Short +RC and -RC when not using Remote control.

*3 Short +S/-S and +/- output terminal when not using variable output voltage.

*4 Short REV and RV when not using variable output voltage.

RKY1500W Type

SHAPES AND DIMENSIONS



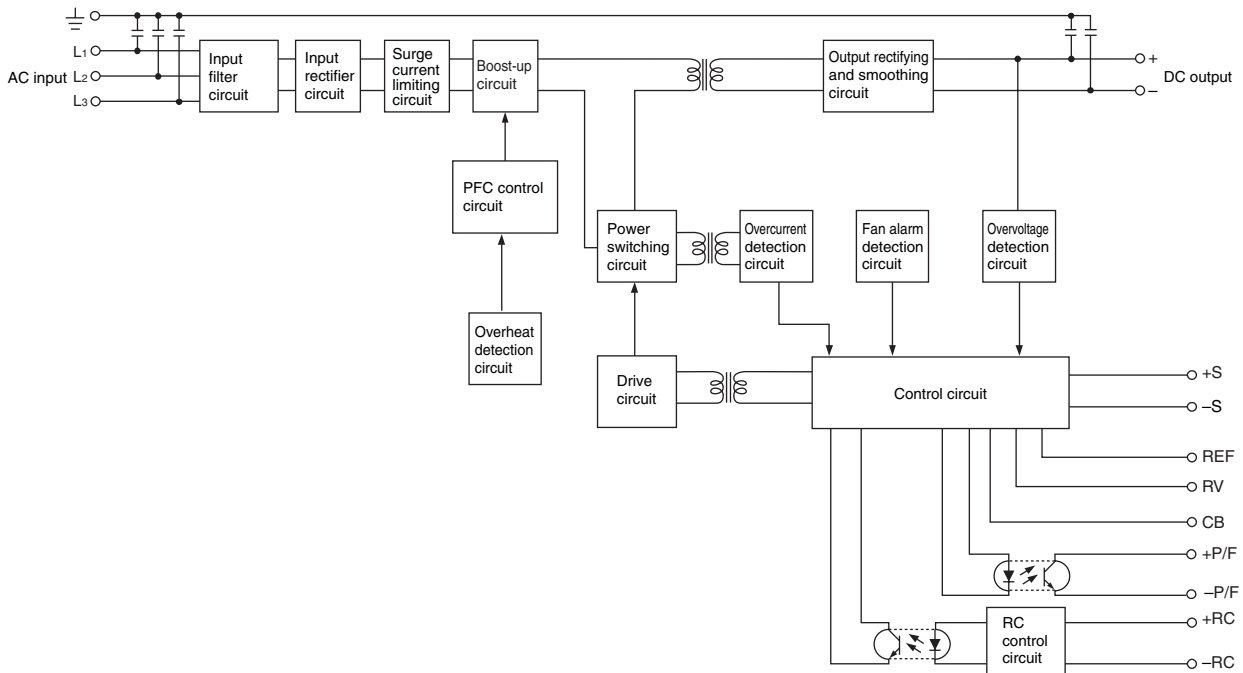
Dimensions in mm
±1mm : without specified dimensions

- Do not insert M4 tap installation screws more than 6mm into the power supply.



Characteristics, Functions, and Applications

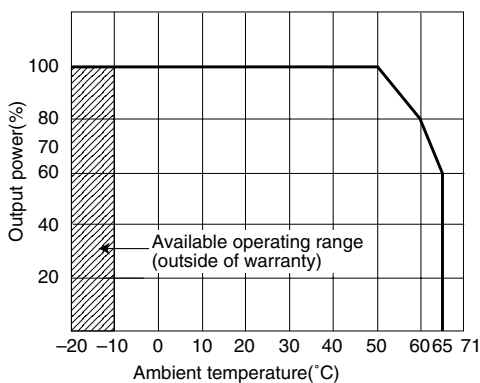
BLOCK DIAGRAM



COMMON SPECIFICATIONS

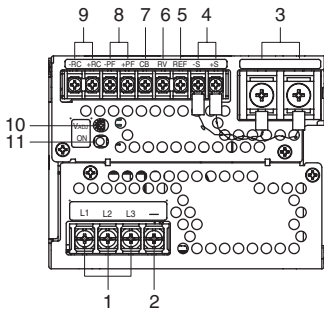
Temperature and humidity		
Temperature range	Operating(°C)	-10 to +65
	Operating available(°C)	-20 to -10
	Storage(°C)	-30 to +75
Humidity range	Operating(%)RH	10 to 95[Maximum wet-bulb temperature: 35°C, without dewing]
	Storage(%)RH	
Vibration and shock		
Vibration	5 to 10Hz	All amplitude 10mm[3 directions, each 1h, sweep time 10min, non-operation]
	10 to 200Hz	Acceleration 19.6m/s ² (2G)[3 directions, each 1h, sweep time 10min, non-operation]
Shock	Acceleration	294m/s ² (30G)[3 directions, each 3 times, non-operation]
	Pulse duration	11±5ms
Withstand voltage and insulation resistance		
Withstand voltage	Input terminal to ground(G)	Eac: 2.0kV, 1min[Normal temperature, normal humidity, cutout current 20mA]
	Input terminal to output terminal	Eac: 3.0kV, 1min[Normal temperature, normal humidity, cutout current 20mA]
	Output terminal to ground(G)	Eac: 500V, 1min[Normal temperature, normal humidity, cutout current 100mA]
Insulation resistance	Input terminal to ground(G)	Edc: 500V, 100MΩ min. [Normal temperature, normal humidity]
	Output terminal to ground(G)	

OUTPUT POWER-AMBIENT TEMPERATURE(DERATINGS)



Characteristics, Functions, and Applications

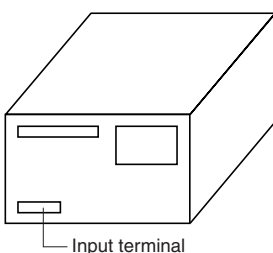
TERMINAL DESIGNATIONS AND FUNCTIONS



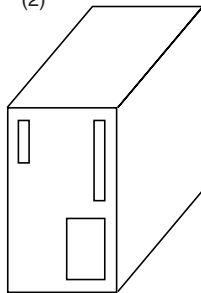
Terminal No.	Designations and functions	
1	AC input terminals(L1, L2, L3)	Connect to AC. 200 to 240V three-phase input line.
2	Frame ground terminal(G)	Connect to earth ground. This is connected to the case.
3	DC output terminals(+, -)	Connect to load.
4	Remote sensing terminals	When a problem occurs based on line drop from the power supply to the load, it is possible to compensate for this using remote sensing. For information about connections, please refer to the section on the remote sensing function.
5	Output voltage reference terminal (REF)	This terminal is for a reference voltage for controlling an output voltage and used for a master-slave operation or when using an output voltage adjustment function. Normally it is shorted with a metal bar to an RV terminal.
6	Output voltage adjustment terminal(RV)	This terminal is used for controlling output voltage from outside.
7	Current balance terminal(CB)	This terminal is used when several power supplies are connected in parallel to connect the respective CB and -S terminals in parallel.
8	Power failure terminal (PF)	These terminals output an open mode signal if an output voltage drops to 60 % or lower of a set voltage. They also output the signal if an output voltage is shut down due to an operation of an error detecting circuit for over output voltage protection, fan alarm overheat protection, or overcurrent protection.
9	Remote ON-OFF terminals(+RC, -RC)	Output is turned ON-OFF by disconnecting-connecting the RC terminals (output ON when open). RC terminals are floating. Normally, \pm RC terminals are shorted with a metal bar.
10	Output voltage adjustment trim(V.ADJ)	Adjusts output voltage.
11	Operation indicator LED(Green)	This Green LED becomes indicated when voltage is output.

INSTALLATIONS

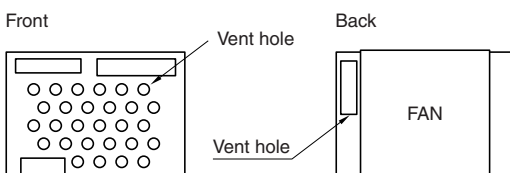
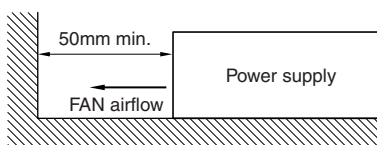
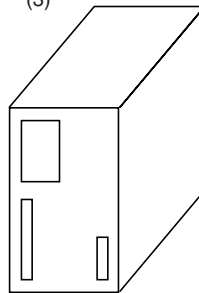
(1) Standard installation



(2)



(3)



Distance the fan surface at least 50 mm away from other components. And install so as to provide heat-outside air exchange.
Make sure not to obstruct the vent on the front panel.

Characteristics, Functions, and Applications

OUTPUT VOLTAGE EXTERNAL VARIABLE FUNCTION (RV)

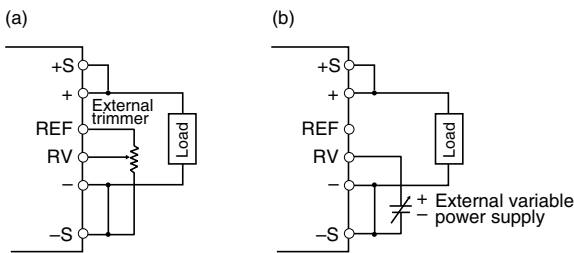
The output voltage setting can be adjusted by attaching an external trimmer or an external voltage to the RV terminal.

When using this function, use a twisted wire or a shielded wire (shield wire for -S) for the wiring from the REF, RV, and -S terminals (A recommended length is 2m max.). Care must be taken to make sure that the wires are not disconnected or miswired.

Voltage model (V)	RV voltage (V)	Output voltage variable range (%)
24	0 to 6.5	0 to 130
36	0 to 5.75	0 to 115
48	0 to 5.75	0 to 115

HOW TO USE THE FUNCTION

- Remove a short plate between the REF and RV terminals.
- For adjusting output voltage with external trimmer
Rotate V.ADJ full clockwise and connect the external trimmer (5k Ω) to the REF, RV, and -S terminals as shown in the diagram (a) below.
- For adjusting output voltage with external voltage
As shown in the diagram (b) in the right side, connect the external variable power supply at the + end to the RV terminal and at - end to the -S terminal.



CURRENT BALANCE (CB TERMINAL)

This terminal has a monitoring function to control and equalize the output current of power supplies connected in parallel by mutually connecting the respective CB terminals and the -S terminals of each power supply. Voltage almost proportional to the output current can be obtained between the CB and -S terminals.

(1) Conditions for current balance

The variation in output voltage between the respective power supplies cannot exceed 2%

$(\text{Highest voltage} - \text{lowest voltage}) \div \text{rated voltage} = 2\% \text{ max.}$

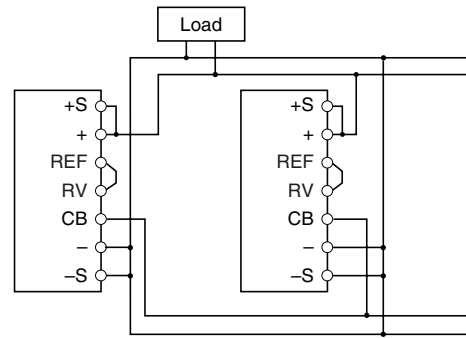
The output current is 20 to 90% of the total output rated current.

(2) Uniform performance (for two power supplies)

The variation in output current between the respective power supplies does not exceed 10%

$(\text{Highest current} - \text{lowest current}) \div (\text{rated voltage} \times \text{the number of power supplies in parallel}) = 10\% \text{ max.}$

(3) CB terminal connection diagram



Equalize the impedance of the load wires coming from each power supply. Use a twisted wire or a shielded wire for the wiring from CB and -S (shield wire for -S). The maximum four power supplies are connected in parallel.

REMOTE ON-OFF

Power supply output voltage can be turned on/off externally at the Remote On-Off terminals (+RC, -RC) by activating one of the following signals:

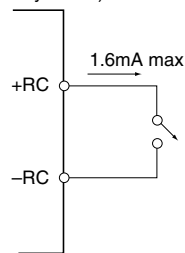
Output voltage is turned off when the level is high between the +RC and -RC terminals (open or external voltage application of 2.4 to 24V: incoming current 1.0mA max.).

Output voltage is turned on when the level is low between the +RC and -RC terminals (short or terminal voltage of 0 to 0.4V: outgoing current 1.6mA max.).

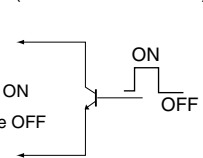
\pm RC terminals are insulated from AC input terminals and the DC output terminals.

Insulation between the \pm RC terminals and the output conforms to the common specifications (Output to case). Withstand voltage between AC input terminals and \pm RC terminals conforms to the common specifications (Input to case).

(Relay circuit)



(Semiconductor circuit)



POWER FAILURE SIGNAL

This function delivers a signal when an output voltage drops to 60% or lower of a set voltage (less than 5V for 36V).

If the power supply protection function operates, however, an output is shut down and a power failure signal is delivered.

Characteristics, Functions, and Applications

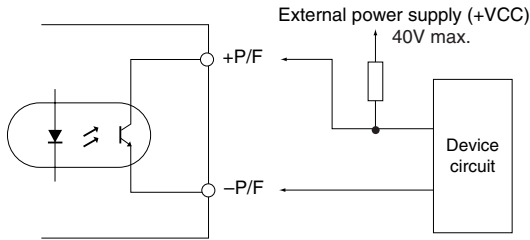
OUTPUT FORMAT

Sink current: 50mA max.

Collector emitter voltage: 40V max.

±P/F terminals are insulated from AC input terminals and the DC output terminals.

Insulation between the ±P/F terminals and the output conforms to an insulation resistance for an output to the ground of the common specifications. Insulation between AC input terminals and ±P/F terminals conforms to an insulation resistance for an input terminal to an output terminal of the common specifications.



P/F signal

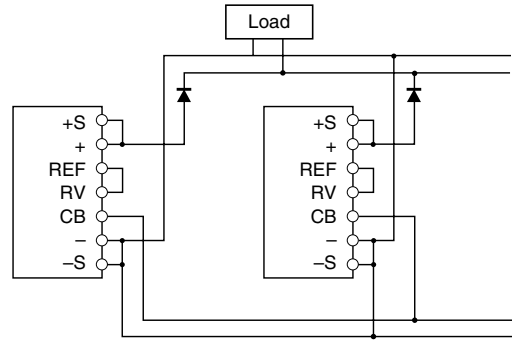
- High-impedance at error detection
- Maximum collector current: 50mA
(Collector emitter saturation voltage: 0.4V max.)
- Maximum collector emitter voltage: 40V

POWER SUPPLY PROTECTION

Protective function	Operation
OV Output overvoltage protection	Output is shut down and the fan stops upon detection of an abnormal output voltage rise. The output recovers after removing the cause upon setting the remote ON-OFF terminal to a high level and then to a low level or upon an input shutdown and a reset after 40s interval.
UV Output under-voltage protection	Output is shut down when the output voltage drops to 60% or lower of the rated output voltage (36V: approx. 5V) and the condition continues for approx. 20s on over current protection and others. The output recovers after removing the cause upon input shutdown and a reset after a 40s minimum interval.
FAN Fan alarm	Output is shut down when the fan rotation stops. The output recovers in the same manner as for the OV in the above. In case of an abnormal fan rotation, the output cannot recover.
TH Overheat protection	Output is shut down and the fan stops when the internal temperature of the power supply rises abnormally. The output recovers upon an input shutdown and a reset after 40s interval. Unless the internal temperature drops, the output cannot recover.

REDUNDANT (N+1) OPERATION

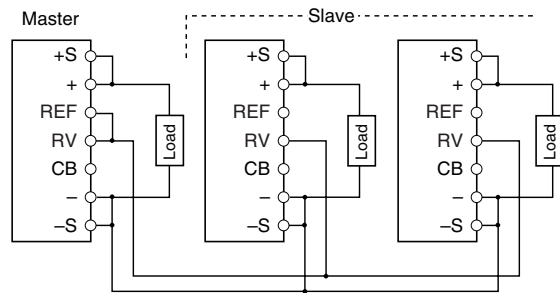
Connect diodes to output terminals of the power supplies before their redundant operation. Equalize the impedance of the load wires coming from each power supply. Use a twisted wire or a shielded wire for the wiring from CB and -S (shield wire for -S). The maximum four power supplies are connected in parallel.



MASTER SLAVE FUNCTION

A use of the REF terminal and RV terminal enables the master slave operation. Connect the REF terminal of a power supply selected as a master, the RV terminals of slave power supplies, and respective -S terminals as shown in the diagram below. Then, output voltages of all the power supplies can be simultaneously adjusted with following V_{ADJ} of the master power supply. The maximum four power supplies are connected in parallel.

- For two or more output loads
Use a twisted wire or a shielded wire for the wiring from RV and -S (shield wire for -S).



- For a single output load
Equalize the impedance of the load wires coming from each power supply. Use a twisted wire or a shielded wire for the wiring from RV and -S (shield wire for -S).

