

# Common Mode Choke Coils(Line Filters) for AC Power Supply

## Closed Magnetic Circuit Core Type HF Series

Conformity to RoHS Directive

TDK common mode choke coils(line filters) are used in a wide range of prevention of electromagnetic interference(EMI) and radio frequency interference(RFI) from power supply lines and for prevention of multifunctioning of products such as measuring equipment and system equipment.

### FEATURES

- Wide range of selection.
- High impedance at applicable frequency.
- High self-resonant frequency.

### PRODUCT IDENTIFICATION

HF □□□□ V - A □□□Y □R□ - 01  
 (1) (2) (3) (4) (5) (6) (7)

- (1) Core shape  
HF: Square shaped closed magnetic circuit core type
- (2) Dimensional code  
Width×Depth
- (3) External shape code  
V: Vertical type H: Horizontal type
- (4) High  $\mu$  material
- (5) Inductance value  
Example) 133:13mH
- (6) Rated current value  
Example) 3R0:3.0A
- (7) Product management number

### SELECTION CHART

Series	Configuration	Type	Inductance value (mH)min.	Rated current (A)	Handling power* $L \times I^2$ (mH×A <sup>2</sup> )	Weight (g)typ.	Minimum package quantity (pieces/box)
HF	Vertical type	HF2316	1.2 to 145	0.2 to 3	10.5	10.5	800
		HF2318	1.5 to 100	0.3 to 3	13	13.5	800
		HF2922	3.2 to 100	0.5 to 3	29	20	440
	Closed magnetic circuit core types	HF2024	0.6 to 33	0.3 to 3	7.6	10	800
		HF2422	2.4 to 68	0.4 to 2.5	15	19.5	540
		HF2430	2.4 to 68	0.4 to 2.5	15	19.5	400
		HF2826	1.8 to 35	1 to 4	35	28	480
		HF2836	1.8 to 35	1 to 4	35	30	400
		HF3545	4.7 to 33	1.5 to 4	75	65	140

\* Handling power=(Inductance value)× (Current)<sup>2</sup>. It is possible to design within the range below this value.  
 [Example] The coil for 2A can make even the inductance of 2.5mH or less a product for handling power 10.

• Conformity to RoHS Directive: This means that, in conformity with EU Directive 2002/95/EC, lead, cadmium, mercury, hexavalent chromium, and specific bromine-based flame retardants, PBB and PBDE, have not been used, except for exempted applications.

• All specifications are subject to change without notice.

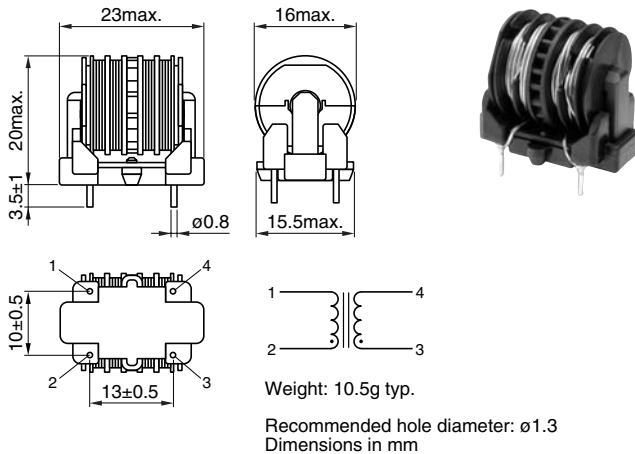
## Closed Magnetic Circuit Core Type HF Series

### FEATURES

- As closed magnetic circuit core as same as a toroidal core, even at its compact size, it offers large inductance and keeps the high impedance levels required in high frequency ranges.
- Since it uses a closed magnetic circuit core, the leakage flux is relatively small, allowing designers to improve the mounting density of their circuits.

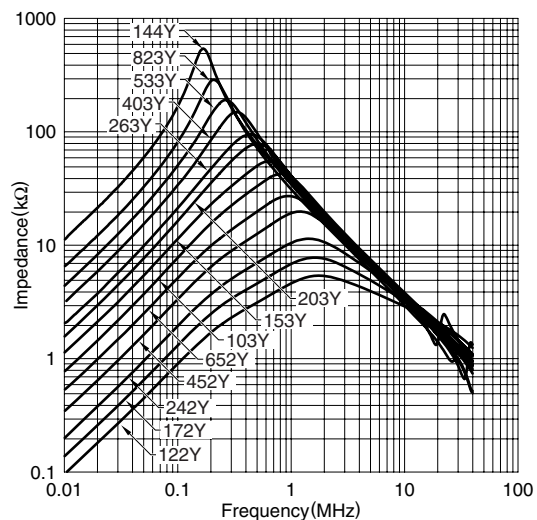
### HF2316-A(SQUARE SHAPED CLOSED MAGNETIC CIRCUIT CORE) TYPE

#### SHAPES AND DIMENSIONS/CIRCUIT DIAGRAM



#### TYPICAL ELECTRICAL CHARACTERISTICS

#### IMPEDANCE vs. FREQUENCY CHARACTERISTICS



### ELECTRICAL CHARACTERISTICS (STANDARD LINE UP)

Part No.	Inductance (mH)min.	DC resistance (Ω)max.	Rated current Iac(A)max.
HF2316-A144Y0R2-01	145	6.8	0.2
HF2316-A823Y0R3-01	82	4	0.3
HF2316-A533Y0R4-01	53	2.4	0.4
HF2316-A403Y0R5-01	40	1.7	0.5
HF2316-A263Y0R6-01	26	1.2	0.6
HF2316-A203Y0R7-01	20	1	0.7
HF2316-A153Y0R8-01	15	0.7	0.8
HF2316-A103Y1R0-01	10	0.5	1
HF2316-A652Y1R2-01	6.5	0.3	1.2
HF2316-A452Y1R5-01	4.5	0.2	1.5
HF2316-A242Y2R0-01	2.4	0.12	2
HF2316-A172Y2R5-01	1.7	0.09	2.5
HF2316-A122Y3R0-01	1.2	0.06	3

- Measuring equipment of inductance value:  
LCR meter(HP4261A, HP4263B or equivalent)[f=1kHz]

### PACKAGING QUANTITIES

HF2316-A	800pieces/box
----------	---------------

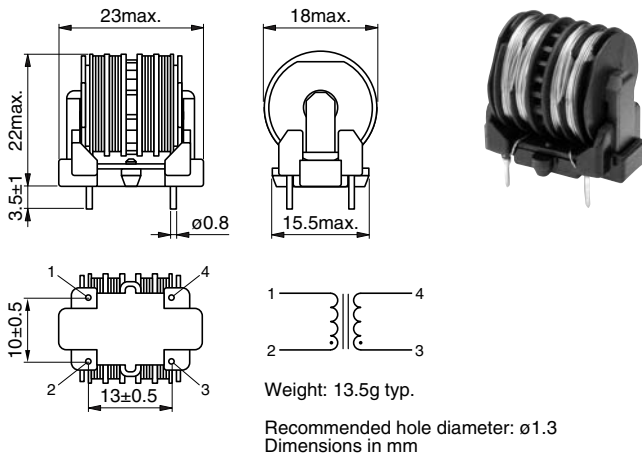
### RATINGS

Item	Standard value	Conditions
Rated voltage(V)	80 to 280	50Hz/60Hz
Dielectric withstanding voltage(V)	2000	Between each winding for 1 minute
Insulation resistance (MΩ)	100min.	Between each winding for DC.500V
Temperature rise(°C)	45max.	With line resistance
Operating temperature range(°C)	-20 to +120	Including self-temperature rise
Storage temperature range(°C)	-20 to +85	
Resistance to soldering temperature*1	260±5°C, 10±1sec	Solder bath method
	350±5°C, 5sec max.	Soldering iron method
Applicable safety standard*2	Electrical Appliance and Material Safety Law ("DENAN"), IEC60065, UL6500, CSA C22.2	

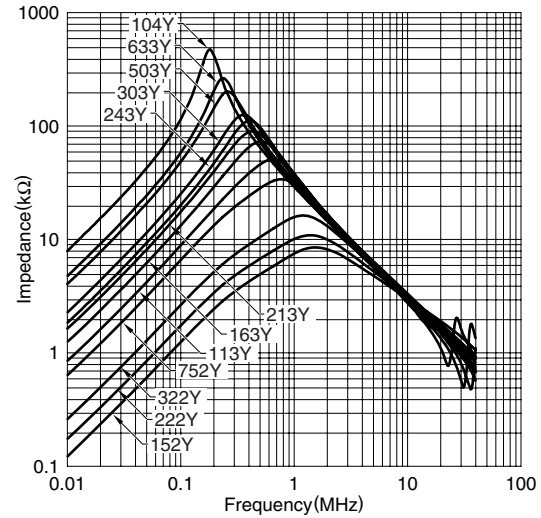
\*1 Pb free solder(Sn-3Ag-0.5Cu)

\*2 However, this product is not recognized by each regulations.

## HF2318-A(SQUARE SHAPED CLOSED MAGNETIC CORE) TYPE SHAPES AND DIMENSIONS/CIRCUIT DIAGRAM



## TYPICAL ELECTRICAL CHARACTERISTICS IMPEDANCE vs. FREQUENCY CHARACTERISTICS



## ELECTRICAL CHARACTERISTICS (STANDARD LINE UP)

Part No.	Inductance (mH)min.	DC resistance (Ω)max.	Rated current Iac(A)max.
HF2318-A104Y0R3-01	100	3.6	0.3
HF2318-A633Y0R4-01	63	2.2	0.4
HF2318-A503Y0R5-01	50	1.8	0.5
HF2318-A303Y0R6-01	30	1.1	0.6
HF2318-A243Y0R7-01	24	1	0.7
HF2318-A213Y0R8-01	21	0.75	0.8
HF2318-A163Y1R0-01	16	0.5	1
HF2318-A113Y1R2-01	11	0.35	1.2
HF2318-A752Y1R5-01	7.5	0.26	1.5
HF2318-A322Y2R0-01	3.2	0.12	2
HF2318-A222Y2R5-01	2.2	0.1	2.5
HF2318-A152Y3R0-01	1.5	0.07	3

- Measuring equipment of inductance value:  
LCR meter(HP4261A, HP4263B or equivalent)[f=1kHz]

## PACKAGING QUANTITIES

HF2316-A	800pieces/box
----------	---------------

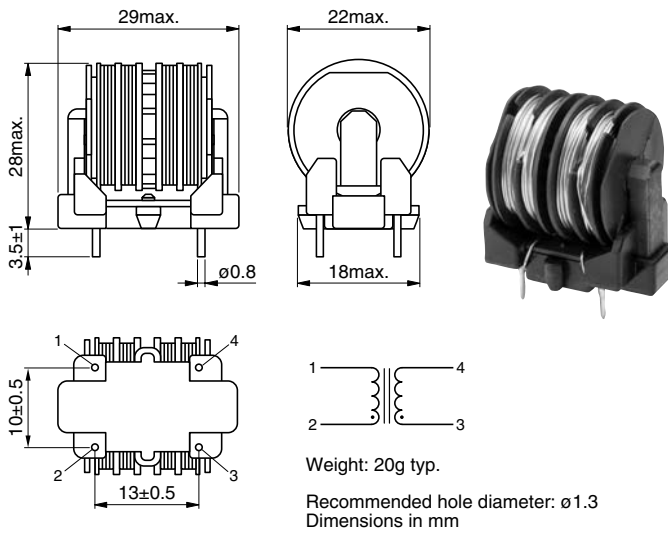
## RATINGS

Item	Standard value	Conditions
Rated voltage(V)	80 to 280	50Hz/60Hz
Dielectric withstanding voltage(V)	2000	Between each winding for 1 minute
Insulation resistance (MΩ)	100min.	Between each winding for DC.500V
Temperature rise(°C)	45max.	With line resistance
Operating temperature range(°C)	-20 to +120	Including self-temperature rise
Storage temperature range(°C)	-20 to +85	
Resistance to soldering temperature*1	260±5°C, 10±1sec	Solder bath method
Applicable safety standard*2	350±5°C, 5sec max.	Soldering iron method
	Electrical Appliance and Material Safety Law ("DENAN"), IEC60065, UL6500, CSA C22.2	

\*1 Pb free solder(Sn-3Ag-0.5Cu)

\*2 However, this product is not recognized by each regulations.

## HF2922-A(SQUARE SHAPED CLOSED MAGNETIC CIRCUIT CORE) TYPE SHAPES AND DIMENSIONS/CIRCUIT DIAGRAM



### ELECTRICAL CHARACTERISTICS (STANDARD LINE UP)

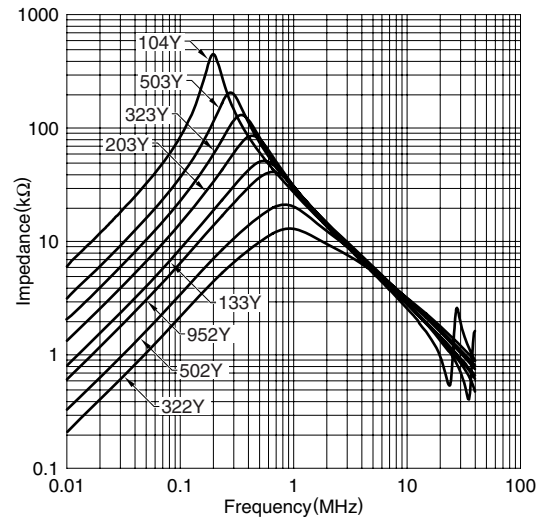
Part No.	Inductance (mH)min.	DC resistance ( $\Omega$ )max.	Rated current Iac(A)max.
HF2922-A104Y0R5-01	100	1.7	0.5
HF2922-A503Y0R8-01	50	0.95	0.8
HF2922-A323Y1R0-01	32	0.59	1
HF2922-A203Y1R2-01	20	0.38	1.2
HF2922-A133Y1R6-01	13	0.25	1.6
HF2922-A952Y2R0-01	9.5	0.19	2
HF2922-A502Y2R5-01	5	0.12	2.5
HF2922-A322Y3R0-01	3.2	0.08	3

- Measuring equipment of inductance value:  
LCR meter(HP4261A, HP4263B or equivalent)[f=1kHz]

### PACKAGING QUANTITIES

HF2316-A	440pieces/box
----------	---------------

### TYPICAL ELECTRICAL CHARACTERISTICS IMPEDANCE vs. FREQUENCY CHARACTERISTICS



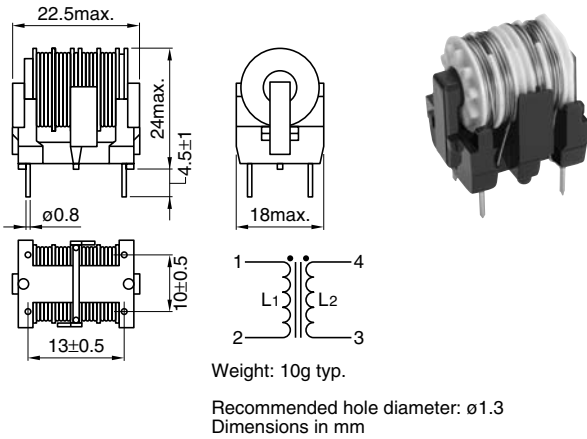
### RATINGS

Item	Standard value	Conditions
Rated voltage(V)	80 to 280	50Hz/60Hz
Dielectric withstanding voltage(V)	2000	Between each winding for 1 minute
Insulation resistance (M $\Omega$ )	100min.	Between each winding for DC.500V
Temperature rise( $^{\circ}$ C)	45max.	With line resistance
Operating temperature range( $^{\circ}$ C)	-20 to +120	Including self-temperature rise
Storage temperature range( $^{\circ}$ C)	-20 to +85	
Resistance to soldering temperature*1	260 $\pm$ 5 $^{\circ}$ C, 10 $\pm$ 1sec	Solder bath method
Applicable safety standard*2	350 $\pm$ 5 $^{\circ}$ C, 5sec max.	Soldering iron method
	Electrical Appliance and Material Safety Law ("DENAN"), IEC60065, UL6500, CSA C22.2	

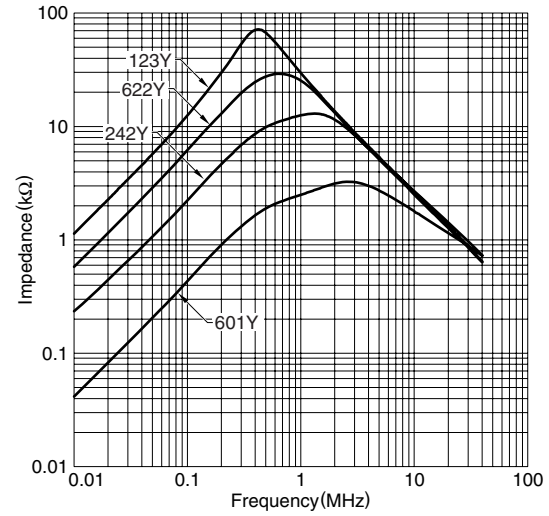
\*1 Pb free solder(Sn-3Ag-0.5Cu)

\*2 However, this product is not recognized by each regulations.

## HF2024(SQUARE SHAPED CLOSED MAGNETIC CIRCUIT CORE) TYPE SHAPES AND DIMENSIONS/CIRCUIT DIAGRAM



## TYPICAL ELECTRICAL CHARACTERISTICS IMPEDANCE vs. FREQUENCY CHARACTERISTICS



## ELECTRICAL CHARACTERISTICS

Part No.	Inductance (mH)min.	DC resistance ( $\Omega$ )max.	Rated current lac (A)max.
HF2024-333Y0R3-201	33	3.1	0.3
HF2024-253Y0R4-T01	25	2	0.4
HF2024-183Y0R5-201	18	1.45	0.5
HF2024-123Y0R6-201	12	1.3	0.6
HF2024-123Y0R8-T01	12	0.92	0.8
HF2024-103Y0R7-T01	10	0.9	0.7
HF2024-682Y0R8-201	6.8	0.66	0.8
HF2024-622Y1R0-T01	6.2	0.5	1
HF2024-352Y1R3-T01	3.5	0.27	1.3
HF2024-242Y1R7-T01	2.4	0.18	1.7
HF2024-102Y2R0-T01	1	0.2	2
HF2024-601Y3R0-T01	0.6	0.06	3

- Measuring equipment of inductance value:  
LCR meter(HP4261A, HP4263B or equivalent)[f=1kHz]

## PACKAGING QUANTITIES

HF2024	800pieces/box
--------	---------------

## RATINGS

Item	Standard value	Conditions
Rated voltage(V)	80 to 250	50Hz/60Hz
Dielectric withstanding voltage(V)	2000	Between each winding for 1 minute
Insulation resistance (M $\Omega$ )	100min.	Between each winding for DC.500V
Temperature rise( $^{\circ}$ C)	50max.	With line resistance
Operating temperature range( $^{\circ}$ C)	-20 to +120	Including self-temperature rise
Storage temperature range( $^{\circ}$ C)	-20 to +85	
Resistance to soldering temperature*1	260 $\pm$ 5 $^{\circ}$ C, 10 $\pm$ 1sec	Solder bath method
	350 $\pm$ 5 $^{\circ}$ C, 5sec max.	Soldering iron method
Applicable safety standard*2	Electrical Appliance and Material Safety Law ("DENAN"), IEC60065, UL6500, CSA C22.2	

\*1 Pb free solder(Sn-3Ag-0.5Cu)

\*2 However, this product is not recognized by each regulations.

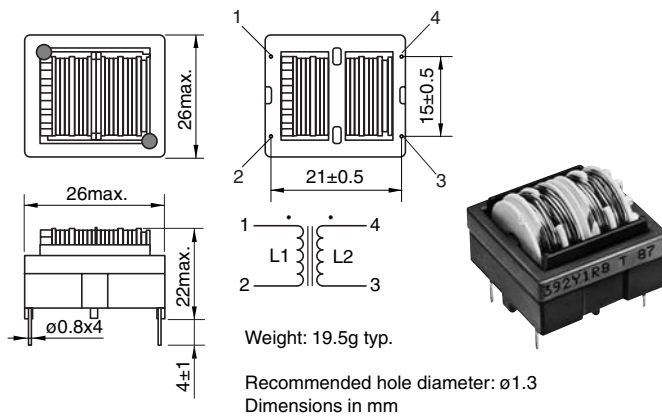
## Closed Magnetic Circuit Core Type HF Series

### FEATURES

- This series employs two outer magnetic path limbs design with windings on the center magnetic path limb of double-square shaped closed magnetic circuit ferrite core to reduce leakage flux.
- This filter uses the same closed magnetic circuit core as a toroidal core and therefore, even at its compact size, it offers large inductance and suppresses noise up to in high frequency ranges.

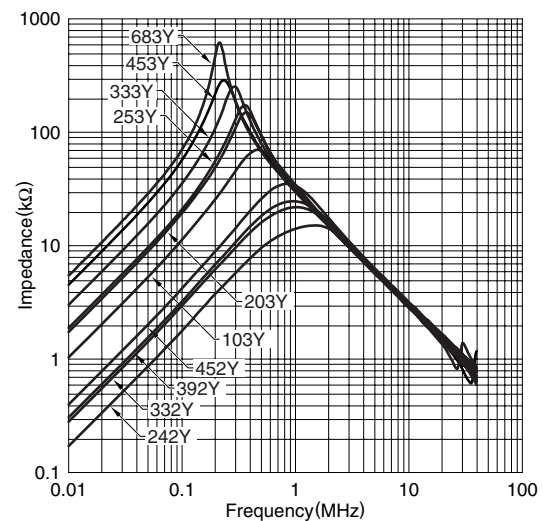
### HF2422(DOUBLE-SQUARE SHAPED CLOSED MAGNETIC CIRCUIT CORE) TYPE

#### SHAPES AND DIMENSIONS/CIRCUIT DIAGRAM



#### TYPICAL ELECTRICAL CHARACTERISTICS

#### IMPEDANCE vs. FREQUENCY CHARACTERISTICS



### ELECTRICAL CHARACTERISTICS

Part No.	Inductance (mH)min.	DC resistance (Ω)max.	Rated current Iac (A)max.
HF2422-683Y0R4-T01	68	2.3	0.4
HF2422-453Y0R5-T01	45	1.65	0.5
HF2422-333Y0R6-T01	33	1.2	0.6
HF2422-253Y0R8-T01	25	0.88	0.8
HF2422-203Y1R0-T01	20	0.64	1
HF2422-103Y1R2-T01	10	0.38	1.2
HF2422-452Y1R5-T01	4.5	0.19	1.5
HF2422-392Y1R8-T01	3.9	0.15	1.8
HF2422-332Y2R0-T01	3.3	0.11	2
HF2422-242Y2R5-T01	2.4	0.09	2.5

- Measuring equipment of inductance value:  
LCR meter(HP4261A, HP4263B or equivalent)[f=1kHz]

### PACKAGING QUANTITIES

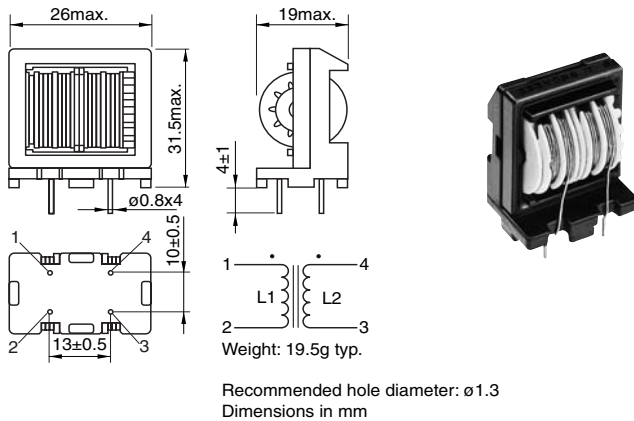
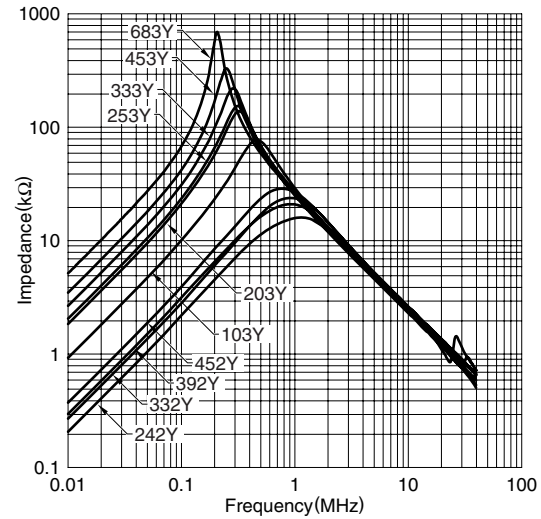
HF2422	540pieces/box
--------	---------------

### RATINGS

Item	Standard value	Conditions
Rated voltage(V)	80 to 280	50Hz/60Hz
Dielectric withstanding voltage(V)	2000	Between each winding for 1 minute
Insulation resistance (MΩ)	100min.	Between each winding for DC.500V
Temperature rise(°C)	50max.	With line resistance
Operating temperature range(°C)	-20 to +120	Including self-temperature rise
Storage temperature range(°C)	-20 to +85	
Resistance to soldering temperature*1	260±5°C, 10±1sec	Solder bath method
	350±5°C, 5sec max.	Soldering iron method
Applicable safety standard*2	Electrical Appliance and Material Safety Law ("DENAN"), IEC60065, UL6500, CSA C22.2	

\*1 Pb free solder(Sn-3Ag-0.5Cu)

\*2 However, this product is not recognized by each regulations.

**HF2430(DOUBLE-SQUARE SHAPED CLOSED MAGNETIC CORE) TYPE**
**SHAPES AND DIMENSIONS/CIRCUIT DIAGRAM**

**TYPICAL ELECTRICAL CHARACTERISTICS**  
**IMPEDANCE vs. FREQUENCY**  
**CHARACTERISTICS**

**ELECTRICAL CHARACTERISTICS**

Part No.	Inductance (mH)min.	DC resistance ( $\Omega$ )max.	Rated current Iac (A)max.
HF2430-683Y0R4-T01	68	2.3	0.4
HF2430-453Y0R5-T01	45	1.65	0.5
HF2430-333Y0R6-T01	33	1.2	0.6
HF2430-253Y0R8-T01	25	0.88	0.8
HF2430-203Y1R0-T01	20	0.64	1
HF2430-103Y1R2-T01	10	0.38	1.2
HF2430-452Y1R5-T01	4.5	0.19	1.5
HF2430-392Y1R8-T01	3.9	0.15	1.8
HF2430-332Y2R0-T01	3.3	0.11	2
HF2430-242Y2R5-T01	2.4	0.09	2.5

- Measuring equipment of inductance value:  
LCR meter(HP4261A, HP4263B or equivalent)[f=1kHz]

**PACKAGING QUANTITIES**

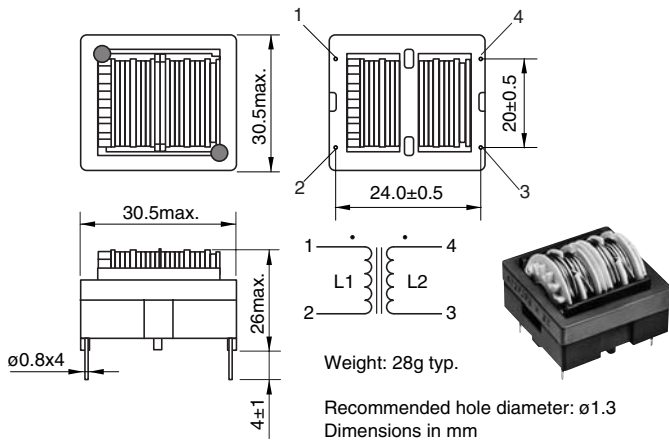
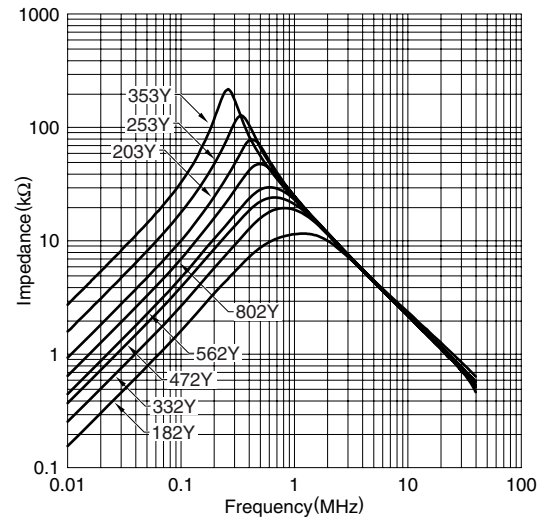
HF2430	400pieces/box
--------	---------------

**RATINGS**

Item	Standard value	Conditions
Rated voltage(V)	80 to 280	50Hz/60Hz
Dielectric withstanding voltage(V)	2000	Between each winding for 1 minute
Insulation resistance (M $\Omega$ )	100min.	Between each winding for DC.500V
Temperature rise( $^{\circ}$ C)	50max.	With line resistance
Operating temperature range( $^{\circ}$ C)	-20 to +120	Including self-temperature rise
Storage temperature range( $^{\circ}$ C)	-20 to +85	
Resistance to soldering temperature*1	260 $\pm$ 5 $^{\circ}$ C, 10 $\pm$ 1sec	Solder bath method
Applicable safety standard*2	350 $\pm$ 5 $^{\circ}$ C, 5sec max.	Soldering iron method
	Electrical Appliance and Material Safety Law ("DENAN"), IEC60065, UL6500, CSA C22.2	

\*1 Pb free solder(Sn-3Ag-0.5Cu)

\*2 However, this product is not recognized by each regulations.

**HF2826(DOUBLE-SQUARE SHAPED CLOSED MAGNETIC CORE) TYPE**
**SHAPES AND DIMENSIONS/CIRCUIT DIAGRAM**

**TYPICAL ELECTRICAL CHARACTERISTICS  
IMPEDANCE vs. FREQUENCY CHARACTERISTICS**

**ELECTRICAL CHARACTERISTICS**

Part No.	Inductance (mH)min.	DC resistance (Ω)max.	Rated current Iac (A)max.
HF2826-353Y1R0-T01	35	0.78	1
HF2826-253Y1R2-T01	25	0.56	1.2
HF2826-203Y1R5-T01	20	0.41	1.5
HF2826-123Y1R8-T01	12	0.27	1.8
HF2826-802Y2R0-T01	8	0.18	2
HF2826-562Y2R5-T01	5.6	0.13	2.5
HF2826-472Y2R8-T01	4.7	0.1	2.8
HF2826-332Y3R0-T01	3.3	0.088	3
HF2826-182Y4R0-T01	1.8	0.05	4

- Measuring equipment of inductance value:  
LCR meter(HP4261A, HP4263B or equivalent)[f=1kHz]

**PACKAGING QUANTITIES**

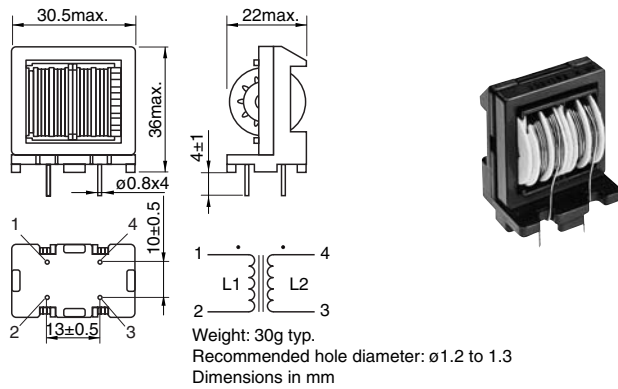
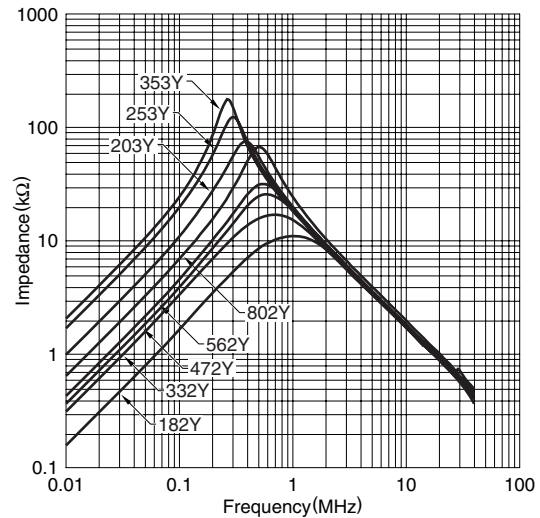
HF2826	480pieces/box
--------	---------------

**RATINGS**

Item	Standard value	Conditions
Rated voltage(V)	80 to 280	50Hz/60Hz
Dielectric withstanding voltage(V)	2000	Between each winding for 1 minute
Insulation resistance (MΩ)	100min.	Between each winding for DC.500V
Temperature rise(°C)	50max.	With line resistance
Operating temperature range(°C)	-20 to +120	Including self-temperature rise
Storage temperature range(°C)	-20 to +85	
Resistance to soldering temperature*1	260±5°C, 10±1sec	Solder bath method
Applicable safety standard*2	350±5°C, 5sec max.	Soldering iron method
	Electrical Appliance and Material Safety Law ("DENAN"), IEC60065, UL6500, CSA C22.2	

\*1 Pb free solder(Sn-3Ag-0.5Cu)

\*2 However, this product is not recognized by each regulations.

**HF2836(DOUBLE-SQUARE SHAPED CLOSED MAGNETIC CIRCUIT CORE) TYPE**
**SHAPES AND DIMENSIONS/CIRCUIT DIAGRAM**

**TYPICAL ELECTRICAL CHARACTERISTICS**
**IMPEDANCE vs. FREQUENCY CHARACTERISTICS**

**ELECTRICAL CHARACTERISTICS**

Part No.	Inductance (mH)min.	DC resistance ( $\Omega$ )max.	Rated current Iac (A)max.
HF2836-353Y1R0-T01	35	0.78	1
HF2836-253Y1R2-T01	25	0.56	1.2
HF2836-203Y1R5-T01	20	0.41	1.5
HF2836-123Y1R8-T01	12	0.27	1.8
HF2836-802Y2R0-T01	8	0.18	2
HF2836-562Y2R5-T01	5.6	0.13	2.5
HF2836-472Y2R8-T01	4.7	0.1	2.8
HF2836-332Y3R0-T01	3.3	0.088	3
HF2836-182Y4R0-T01	1.8	0.05	4

- Measuring equipment of inductance value:  
LCR meter(HP4261A, HP4263B or equivalent)[f=1kHz]

**PACKAGING QUANTITIES**

HF2836	800pieces/box
--------	---------------

**RATINGS**

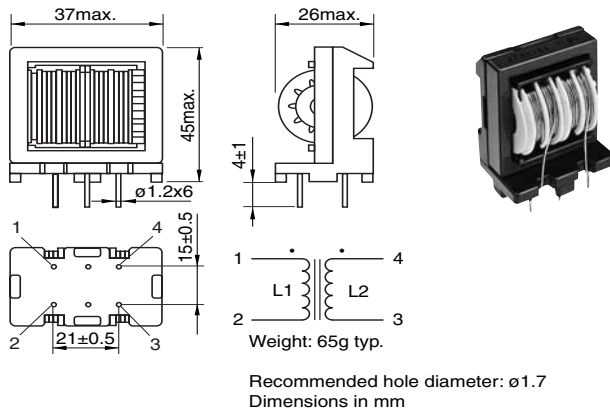
Item	Standard value	Conditions
Rated voltage(V)	80 to 280	50Hz/60Hz
Dielectric withstanding voltage(V)	2000	Between each winding for 1 minute
Insulation resistance (M $\Omega$ )	100min.	Between each winding for DC.500V
Temperature rise( $^{\circ}$ C)	50max.	With line resistance
Operating temperature range( $^{\circ}$ C)	-20 to +120	Including self-temperature rise
Storage temperature range( $^{\circ}$ C)	-20 to +85	
Resistance to soldering temperature*1	260 $\pm$ 5 $^{\circ}$ C, 10 $\pm$ 1sec	Solder bath method
Applicable safety standard*2	350 $\pm$ 5 $^{\circ}$ C, 5sec max.	Soldering iron method
	Electrical Appliance and Material Safety Law ("DENAN"), IEC60065, UL6500, CSA C22.2	

\*1 Pb free solder(Sn-3Ag-0.5Cu)

\*2 However, this product is not recognized by each regulations.

## HF3545(DOUBLE-SQUARE SHAPED CLOSED MAGNETIC CORE) TYPE

### SHAPES AND DIMENSIONS/CIRCUIT DIAGRAM



### ELECTRICAL CHARACTERISTICS

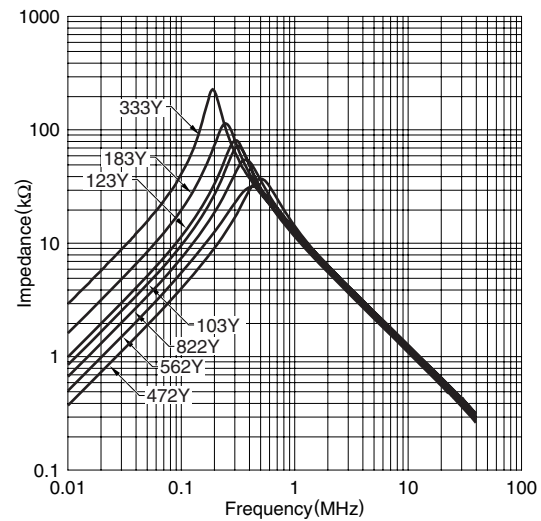
Part No.	Inductance (mH)min.	DC resistance ( $\Omega$ )max.	Rated current lac (A)max.
HF3545-333Y1R5-T01	33	0.42	1.5
HF3545-223Y1R8-T01	22	0.29	1.8
HF3545-183Y2R0-T01	18	0.23	2
HF3545-153Y2R2-T01	15	0.21	2.2
HF3545-123Y2R5-T01	12	0.17	2.5
HF3545-103Y2R7-T01	10	0.13	2.7
HF3545-822Y3R0-T01	8.2	0.105	3
HF3545-562Y3R5-T01	5.6	0.077	3.5
HF3545-472Y4R0-T01	4.7	0.062	4

- Measuring equipment of inductance value:  
LCR meter(HP4261A, HP4263B or equivalent)[f=1kHz]

### PACKAGING QUANTITIES

HF3545	140pieces/box
--------	---------------

### TYPICAL ELECTRICAL CHARACTERISTICS IMPEDANCE vs. FREQUENCY CHARACTERISTICS



### RATINGS

Item	Standard value	Conditions
Rated voltage(V)	80 to 280	50Hz/60Hz
Dielectric withstanding voltage(V)	2000	Between each winding for 1 minute
Insulation resistance (M $\Omega$ )	100min.	Between each winding for DC.500V
Temperature rise( $^{\circ}$ C)	50max.	With line resistance
Operating temperature range( $^{\circ}$ C)	-20 to +120	Including self-temperature rise
Storage temperature range( $^{\circ}$ C)	-20 to +85	
Resistance to soldering temperature*1	260 $\pm$ 5 $^{\circ}$ C, 10 $\pm$ 1sec	Solder bath method
Applicable safety standard*2	350 $\pm$ 5 $^{\circ}$ C, 5sec max.	Soldering iron method
Electrical Appliance and Material Safety Law ("DENAN"), IEC60065, UL6500, CSA C22.2		

\*1 Pb free solder(Sn-3Ag-0.5Cu)

\*2 However, this product is not recognized by each regulations.